

## 6.2 Squeegee

# Squeegee

## Basic adjustment Squeegee connection

### Installation note:

1. Hook squeegee connection into chassis.
2. Align parallel to floor and tighten bolts.

### Squeegee connection default setting:

1. For default setting of adjusting bushing see figure 1 (dimensions 9 and 12.4 mm).
2. Screw on the squeegee which is intended for the machine and align via the adjusting bushing so that the sealing strips are vertical against the floor (lift slightly and allow to fall).
3. Align castors using the method shown and adjust them so that they are 7 mm above the ground.
4. If necessary, adjust the squeegee inclination to the ground conditions.

# Squeegee

## Basic adjustment Squeegee connection

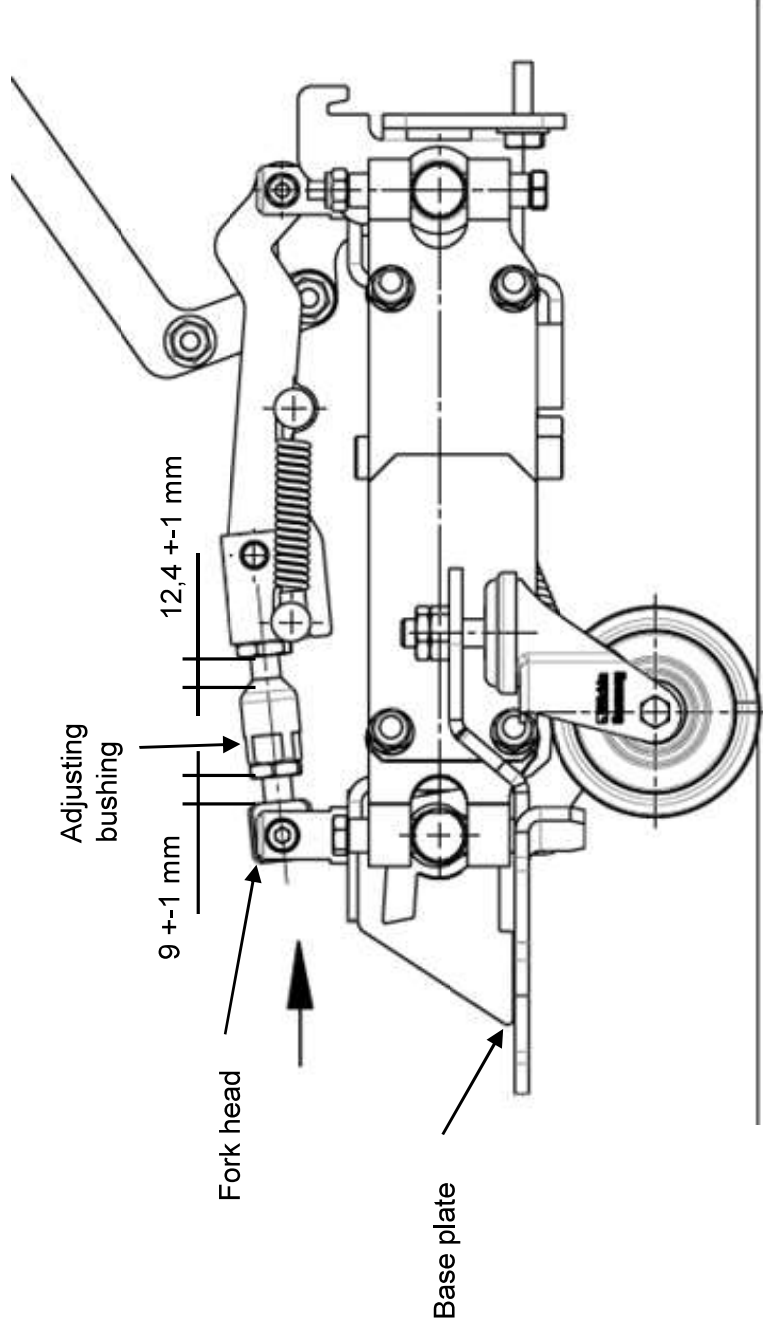


Figure 1

# Squeegee

## Squeegee adjustment

### Adjusting the sealing strips / inclination

The correct inclination adjustment is decisive for:

- ensuring that the sealing strips of the squeegee are lying evenly on the ground over their contact surface
- ensuring that the squeegee runs quietly and evenly during the suction process.

1. Place the machine on a level surface and lower the squeegee using the squeegee key figure 2b -46.
2. Loosen the lock nuts (figure 2a-A) and adjust the squeegee by turning the adjusting bushing (figure 2a-B) so that the ends of the sealing strips are just about touching the ground.

### Turning the adjusting bushing clockwise:

The distance between the sealing strip and the ground increases at the ends figure 2a.

### Turning the adjusting bushing counter-clockwise:

The distance between the sealing strip and the ground decreases at the ends figure 2b.

3. Turn on the machine and check the suction pattern. When driving, the sealing strips must be turned over evenly everywhere (centre and outside).
4. Tighten the lock nuts.

# Squeegee Squeegee adjustment

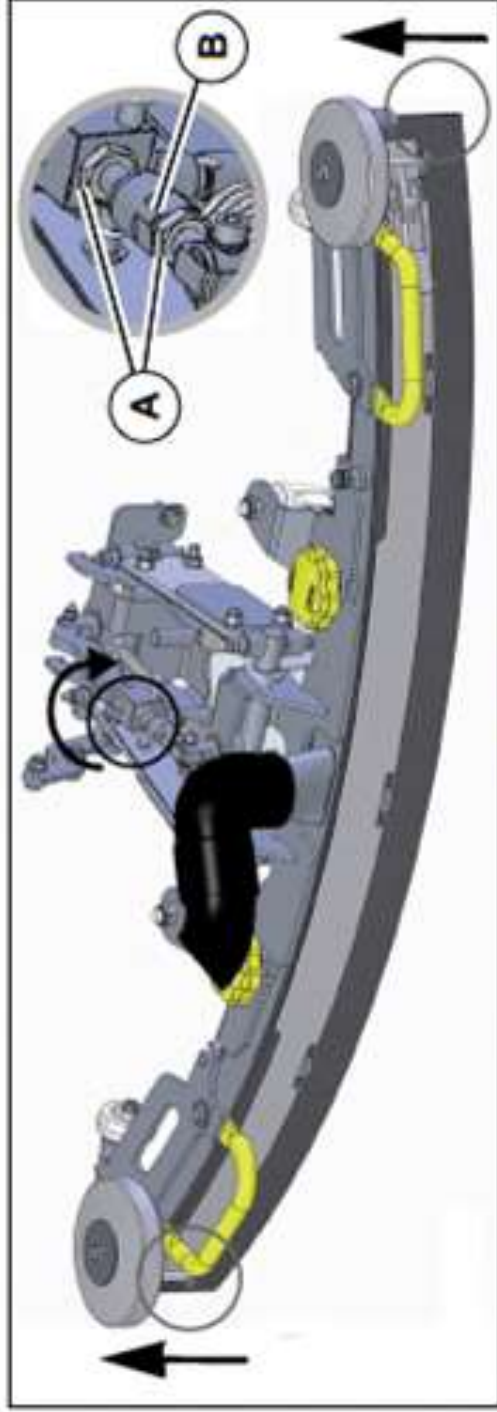


Figure 2a

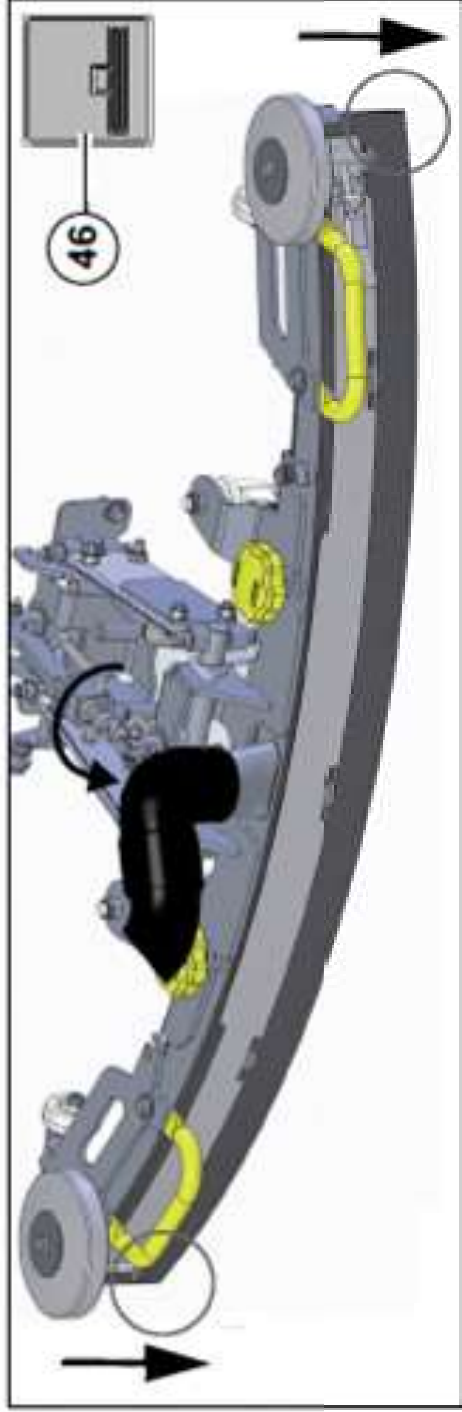


Figure 2b

# Squeegee

## Height adjustment

The height adjustment (X) of the supporting rollers Fig. 4 has been set to 7 mm in the factory. If striping still occurs despite optimum inclination adjustment, readjust the distance between the supporting rollers and the lower edge of the sealing strip.

1. Place the machine on a level surface.
2. Lower squeegee. The sealing strips must now be resting vertically onto the floor.
3. Loosen nuts (figure 4 B) and adjust distance between supporting roller and ground as per the table.
4. Tighten nuts.

Distance from floor (X)	Use
<7 mm	Very smooth floor surfaces, e.g. coated screed, PVC, linoleum
<b>7 mm</b>	<b>Standard setting</b>
>7 mm	Very uneven floor surfaces, e.g. poorly laid tiles (water does not drain off)

Figure 3

# Squeegee

## Height adjustment

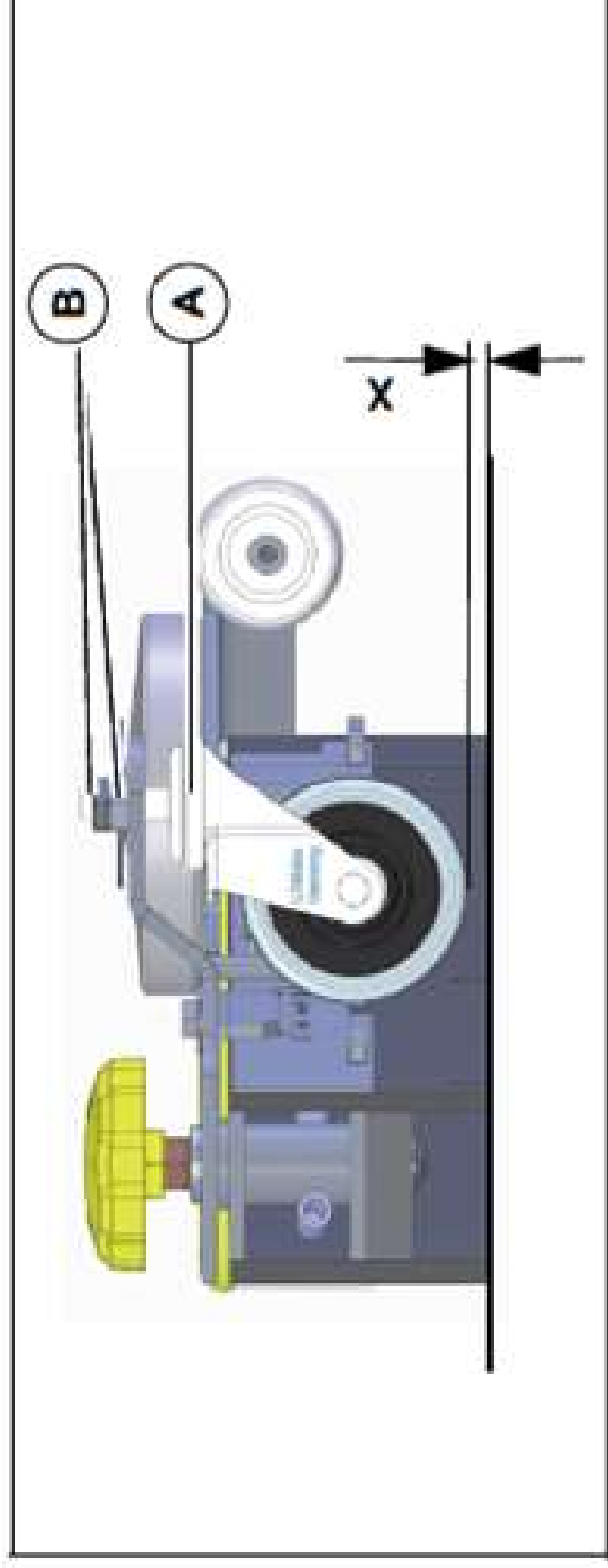


Figure 4